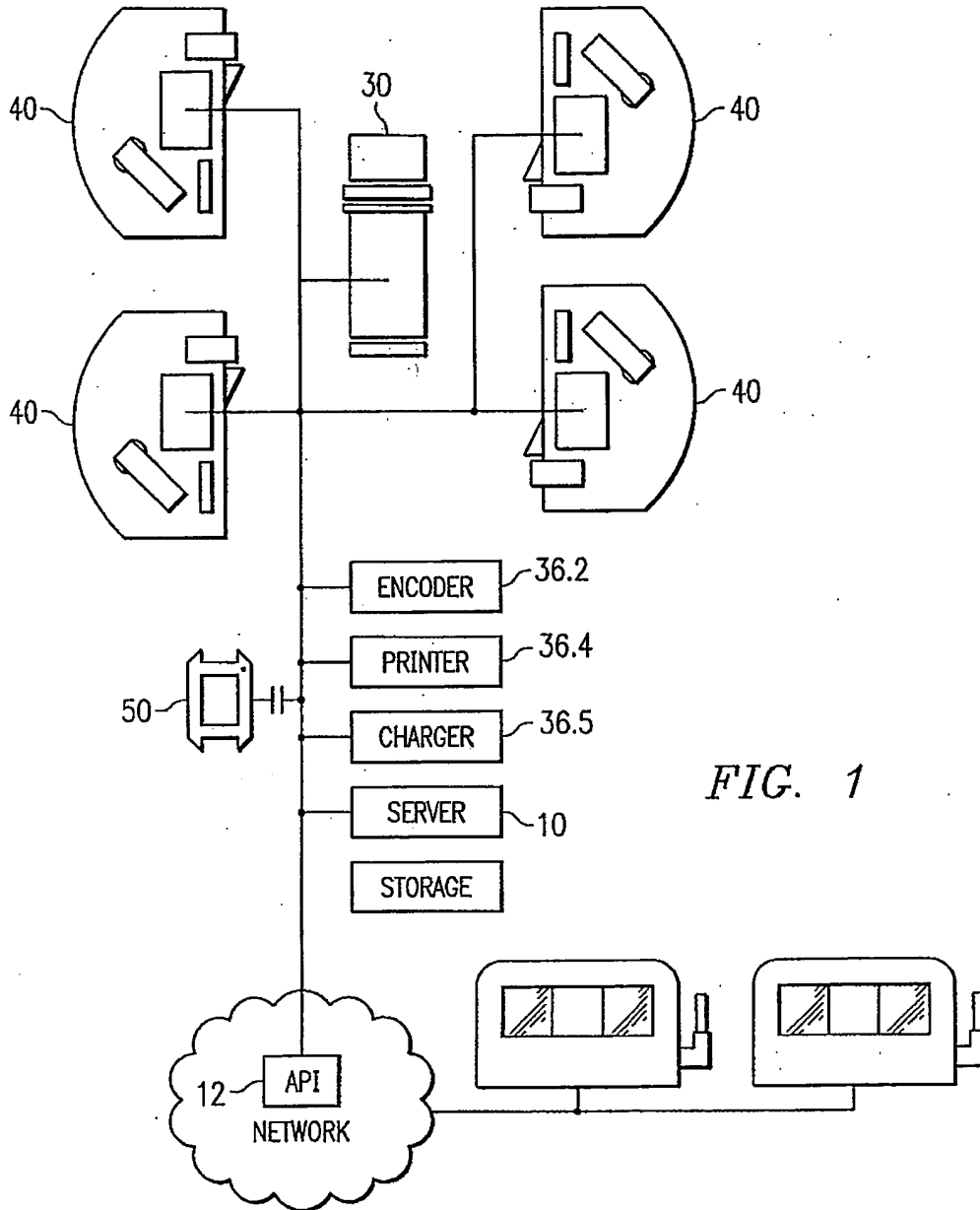
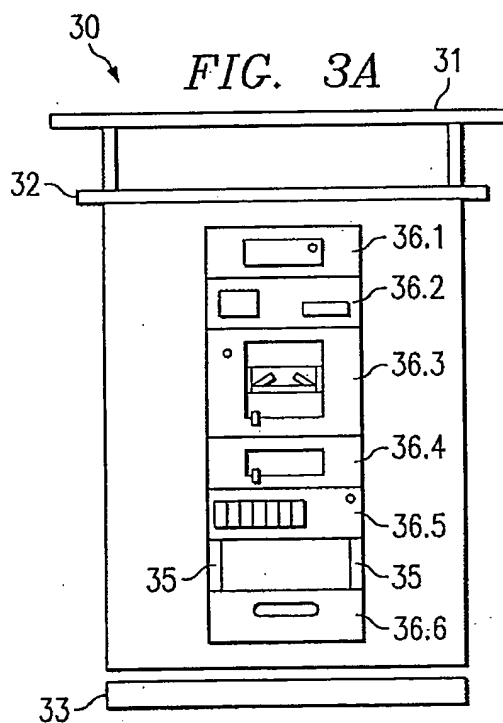
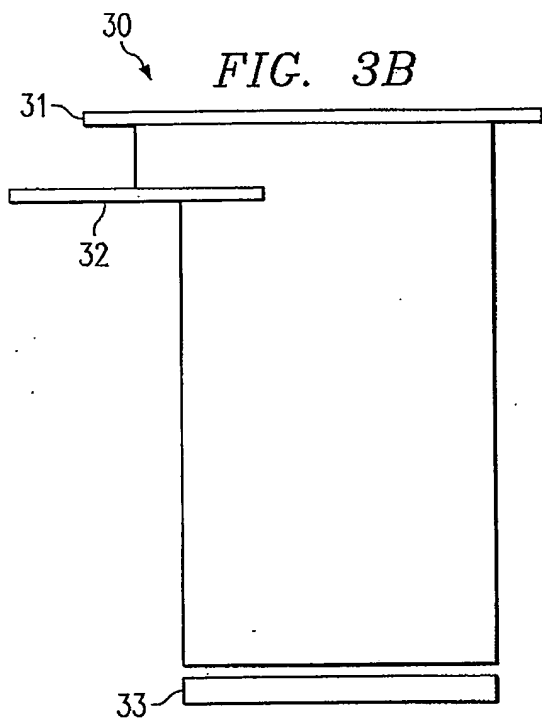
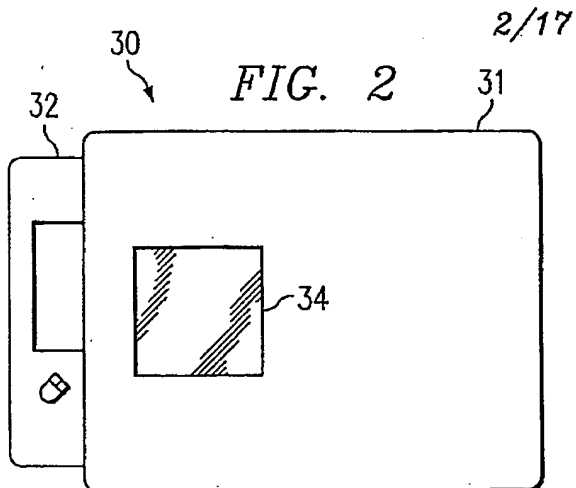


1/17





3/17

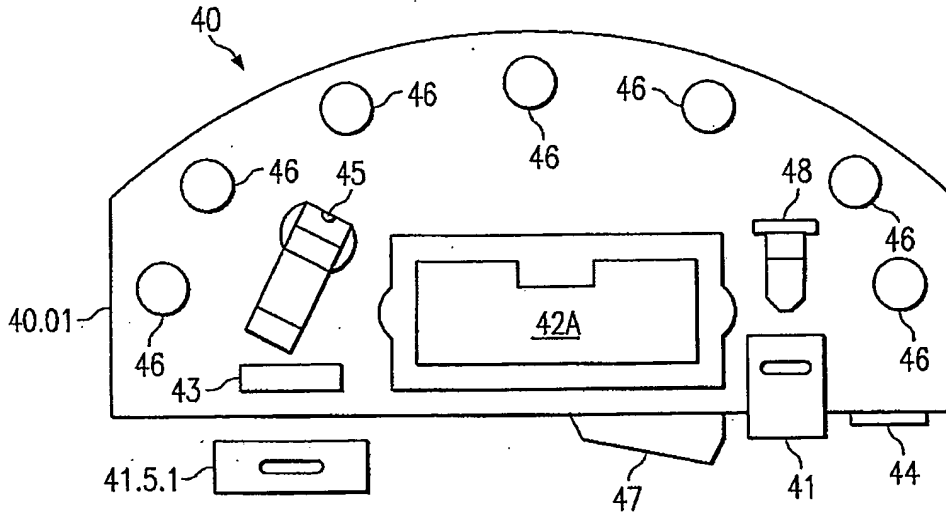


FIG. 4A

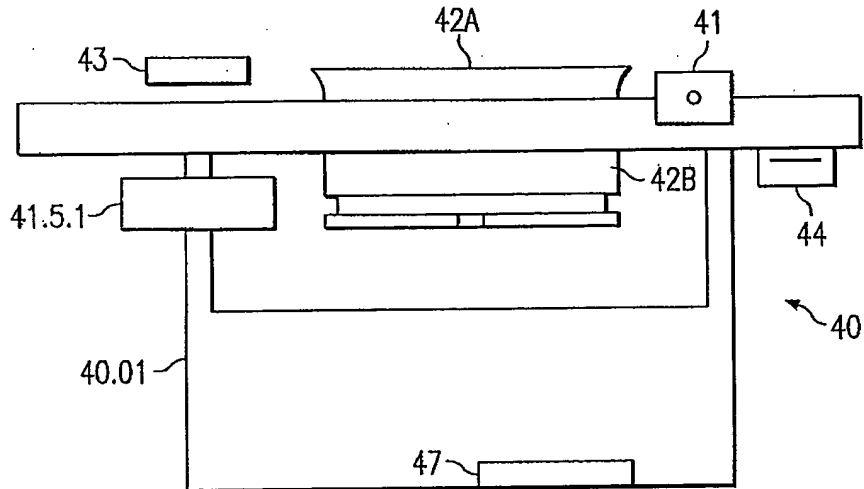
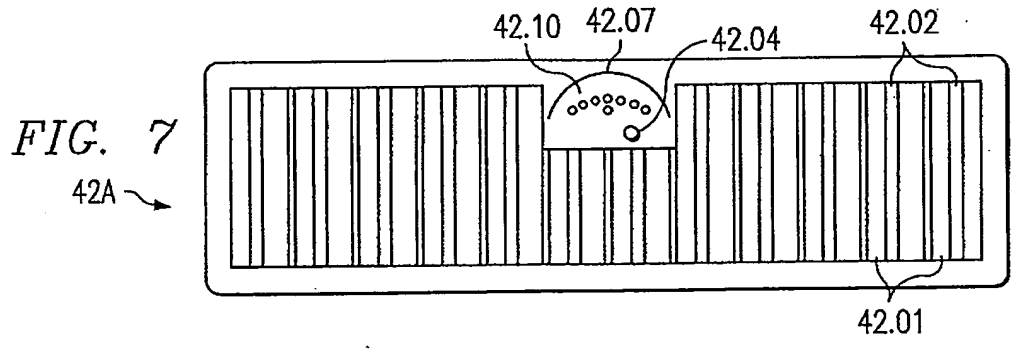
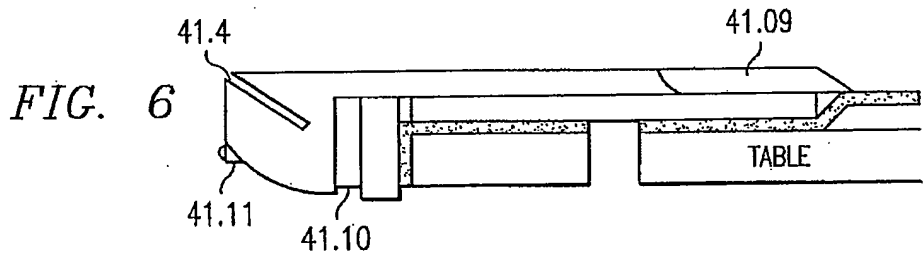
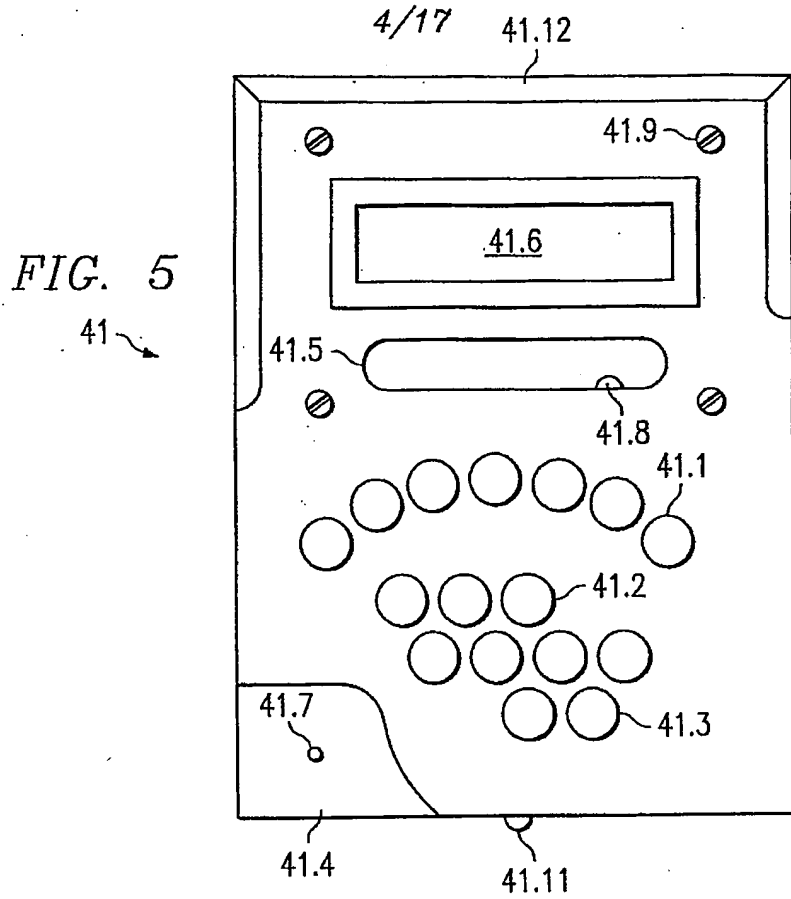


FIG. 4B



5/17

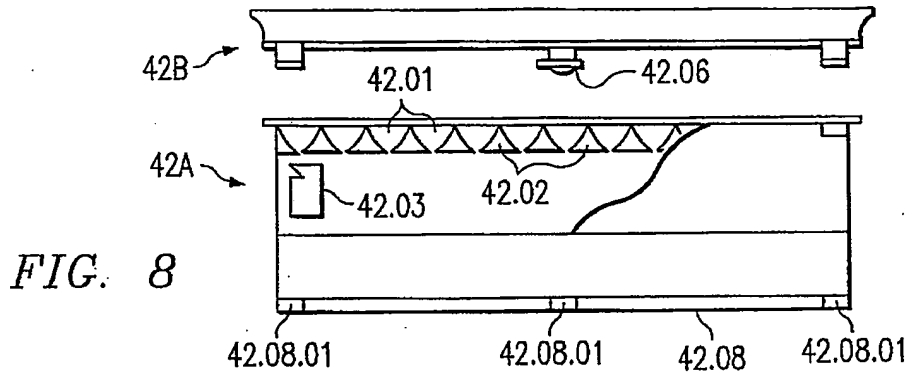


FIG. 8

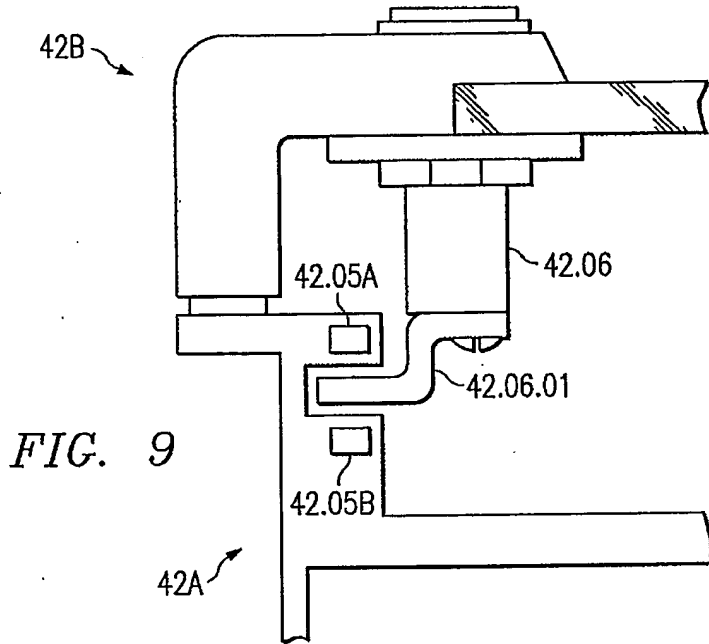


FIG. 9

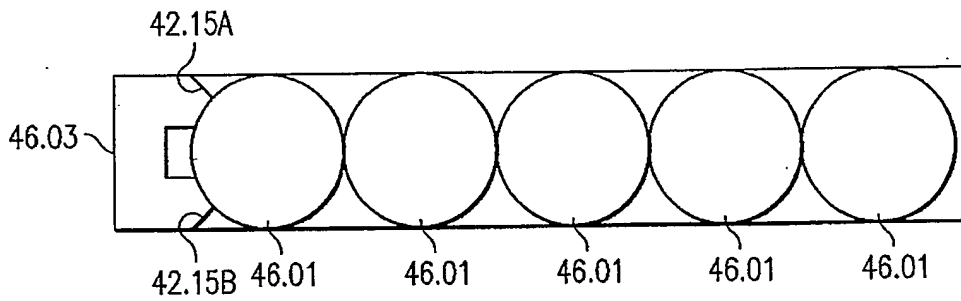


FIG. 10A

6/17

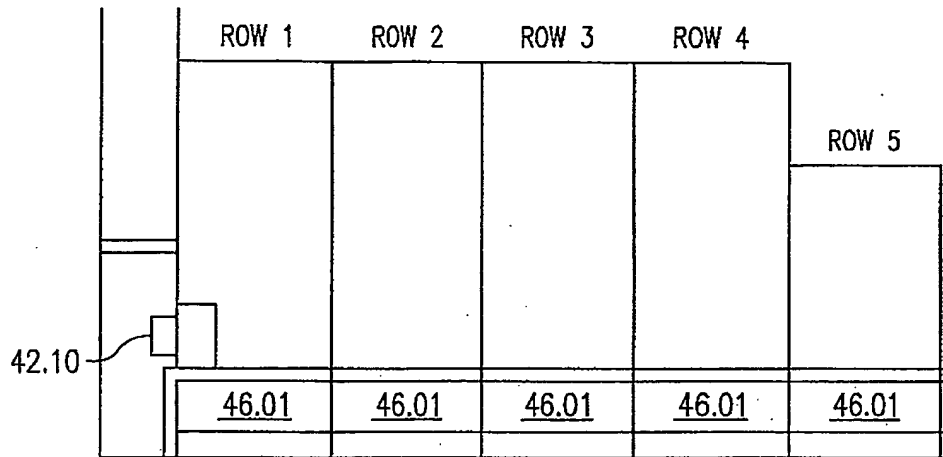


FIG. 10B

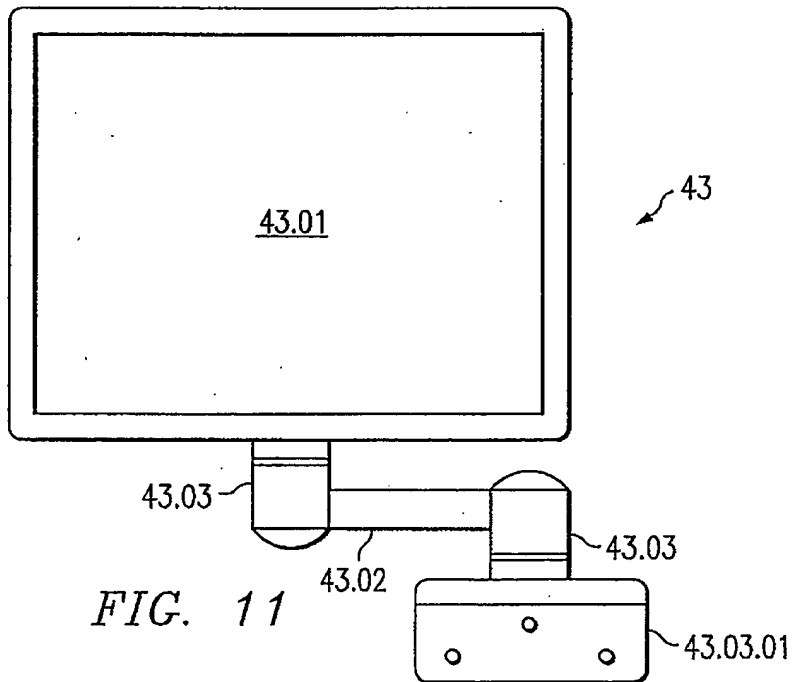


FIG. 11

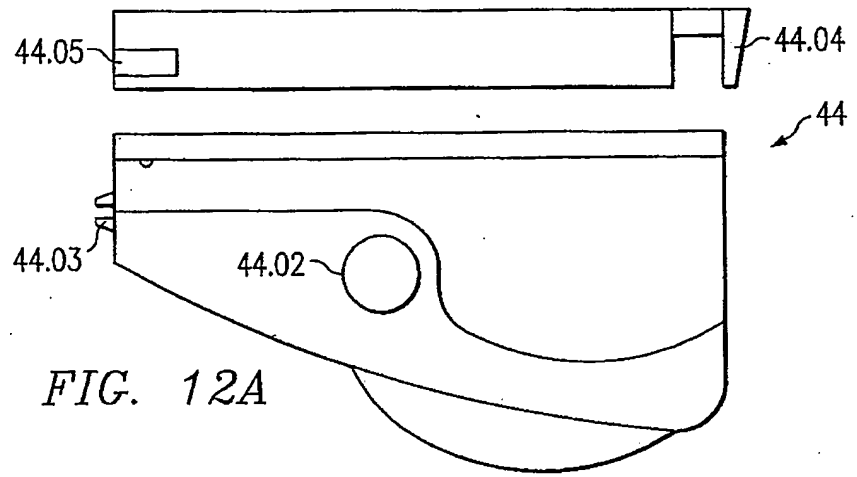


FIG. 12A

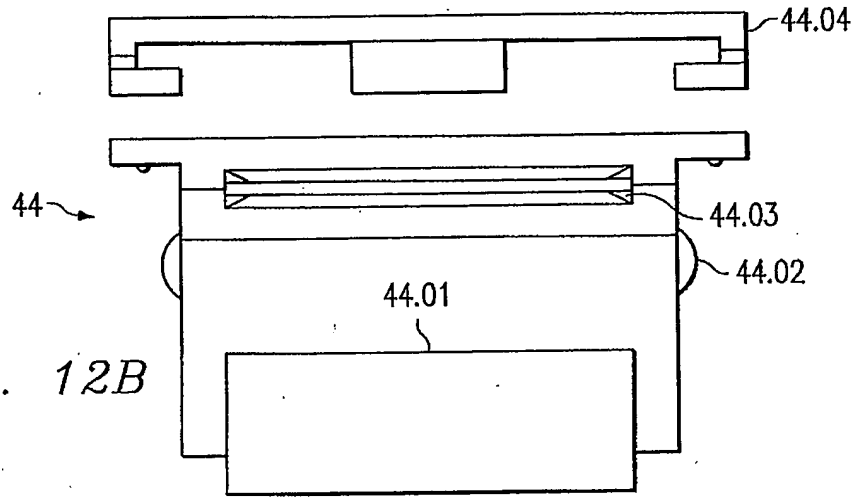


FIG. 12B

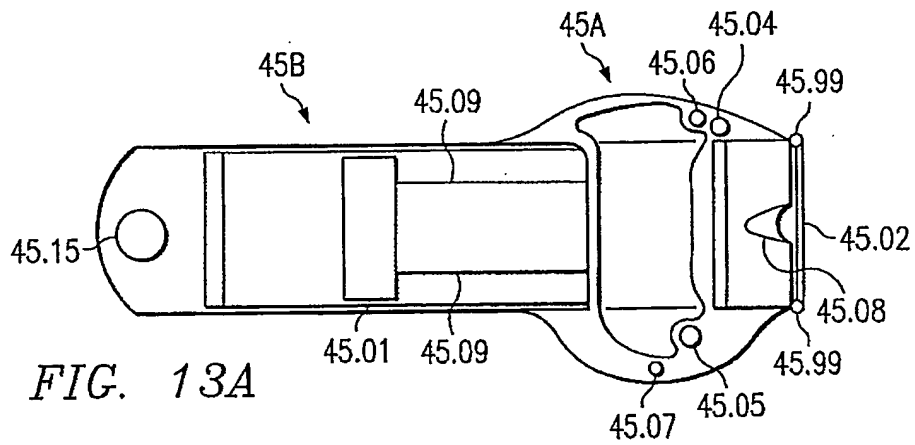


FIG. 13A

8/17

FIG. 13B

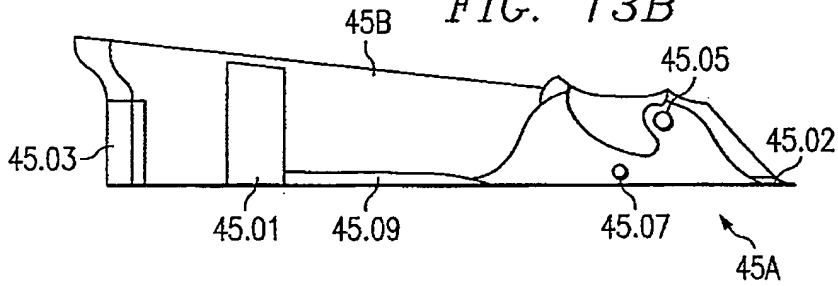


FIG. 14

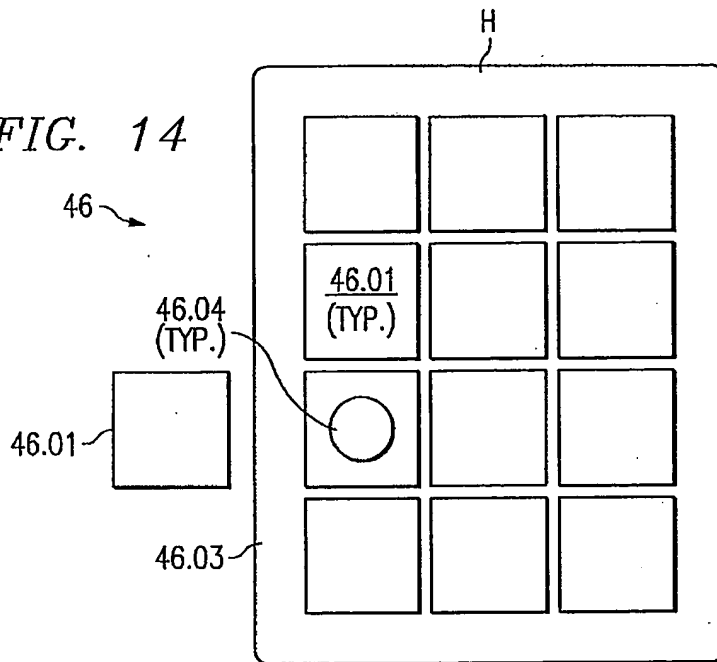
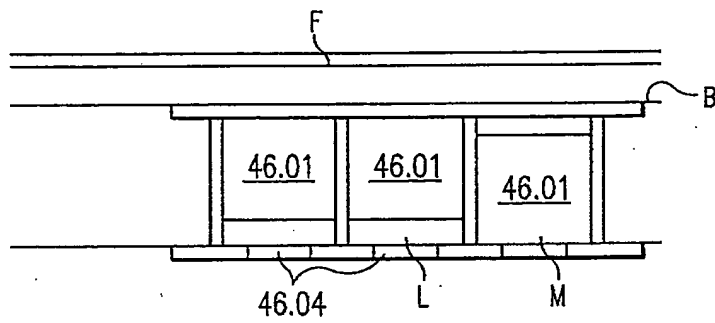
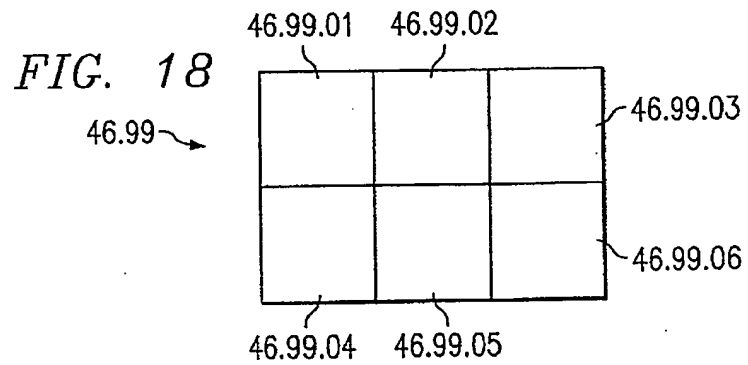
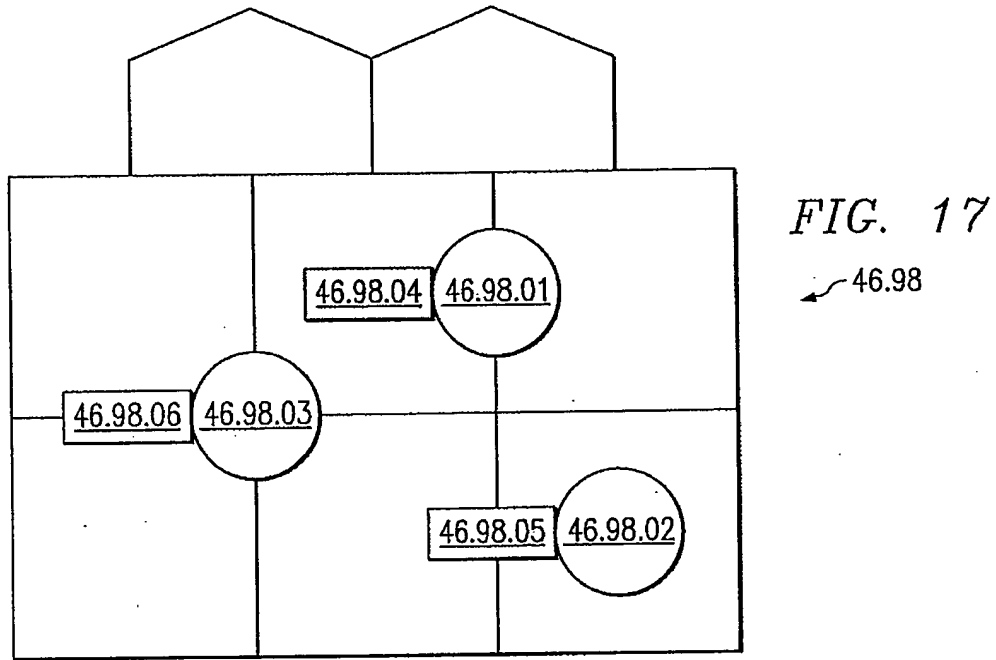
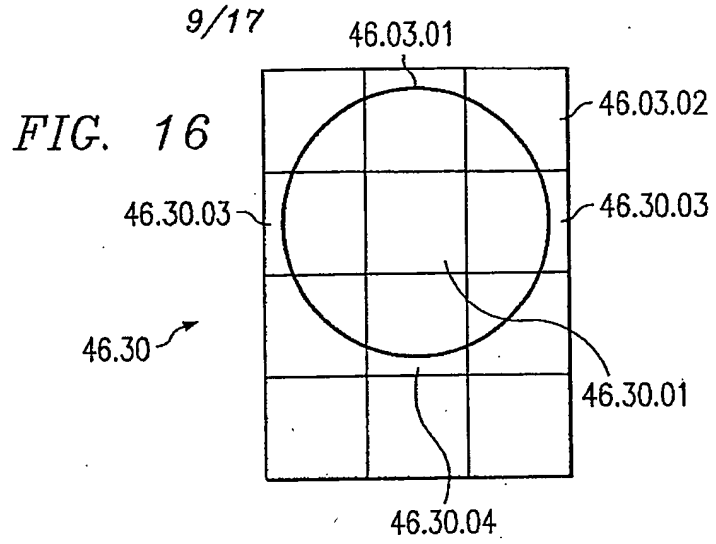


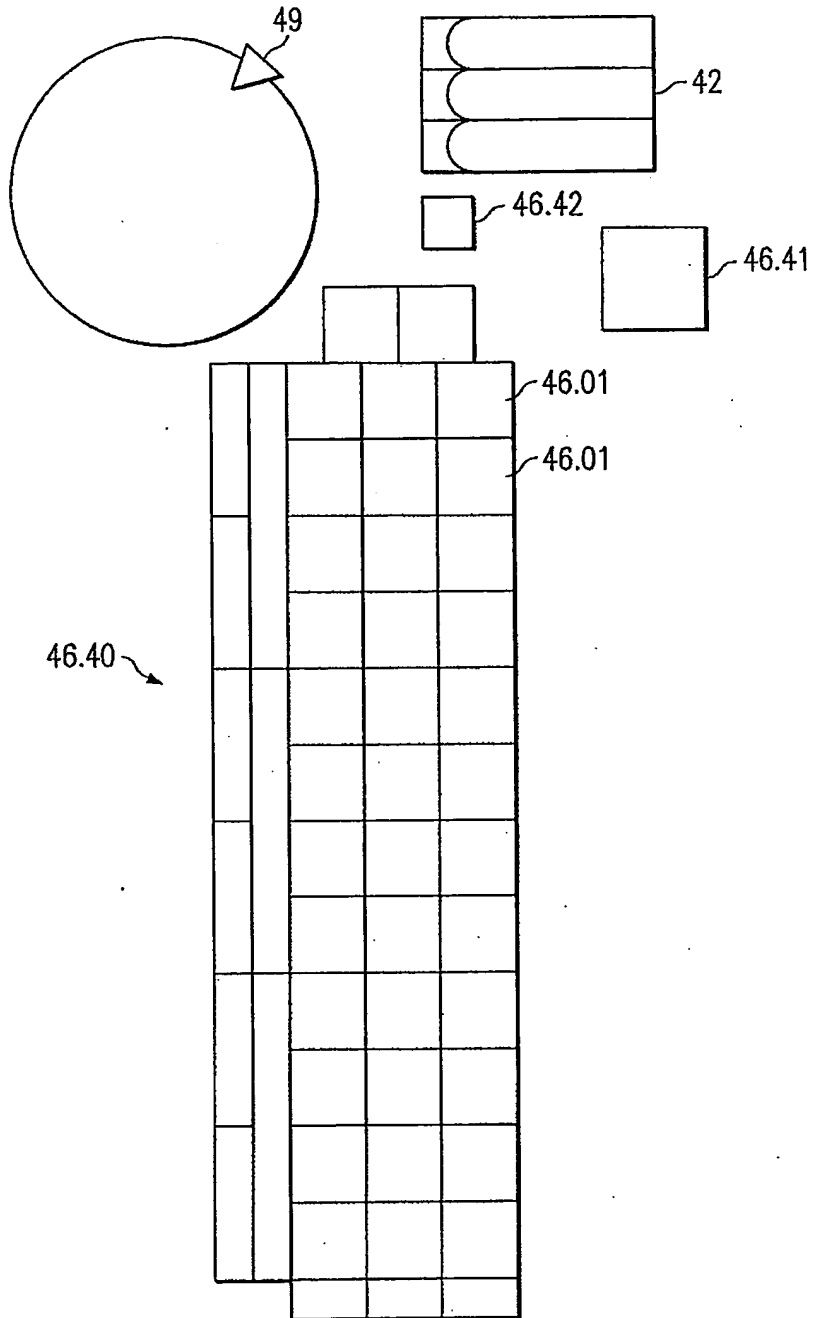
FIG. 15



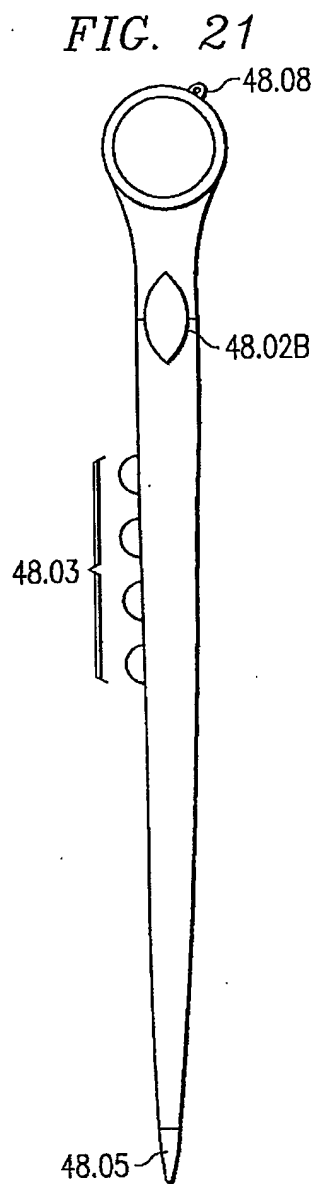
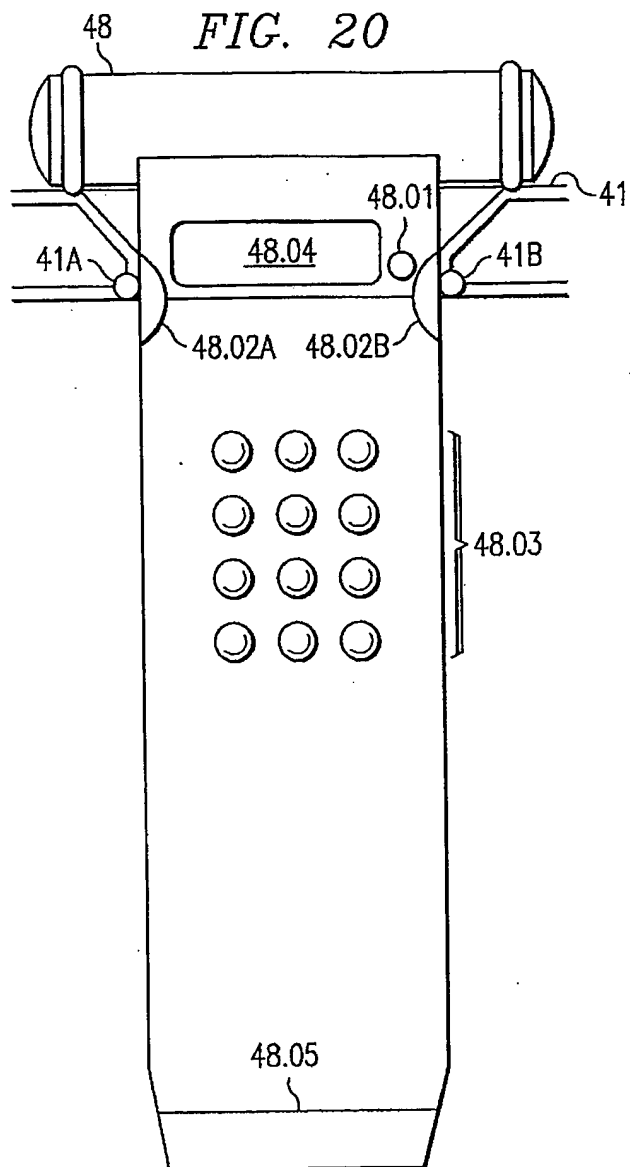


10/17

FIG. 19



11/17



12/17

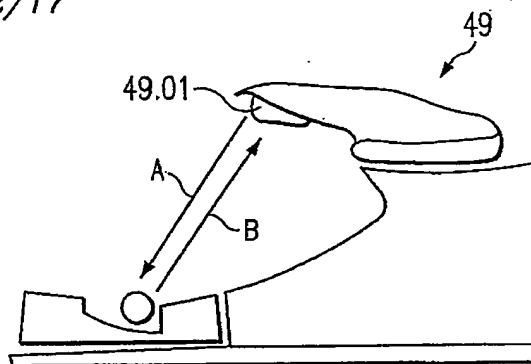


FIG. 22

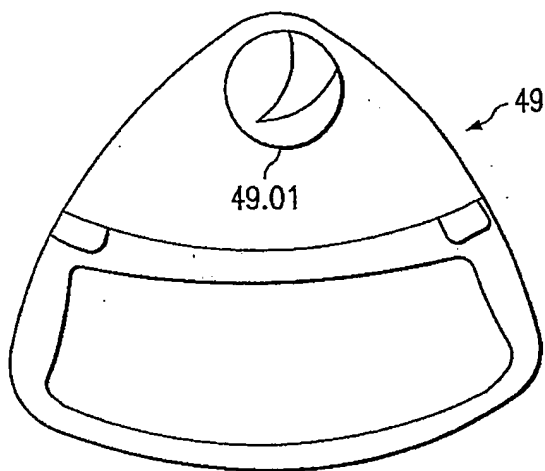
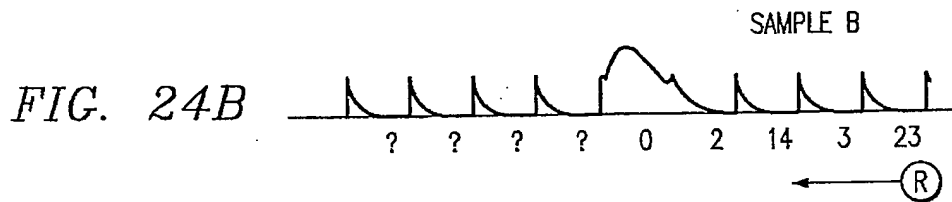
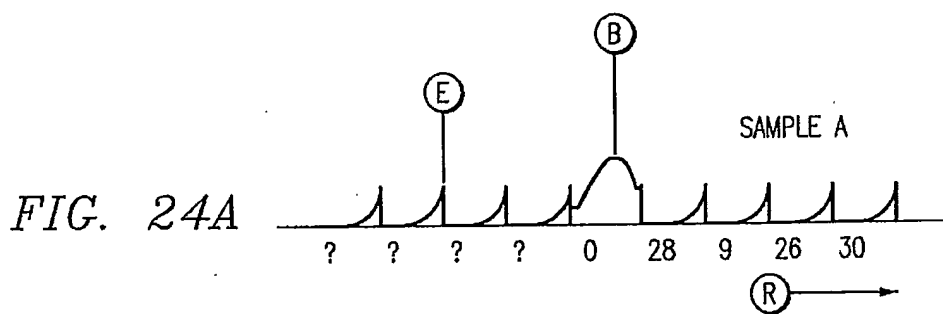
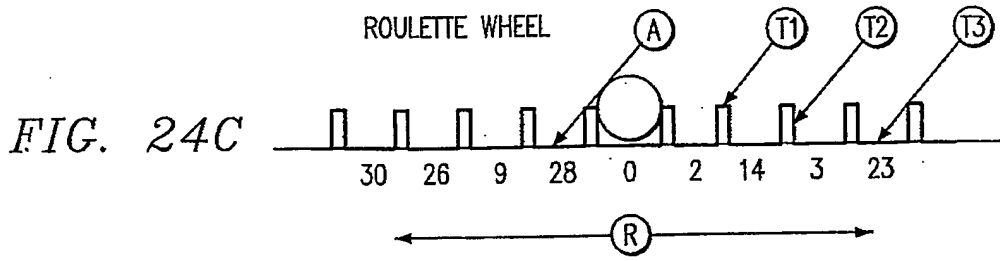


FIG. 23



13/17



WAVEFORM TIMING ANALYSIS A:

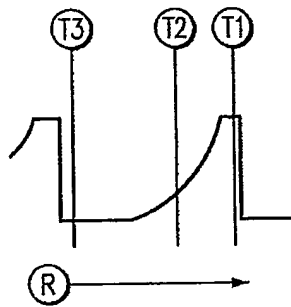


FIG. 24D

WAVEFORM TIMING ANALYSIS B:

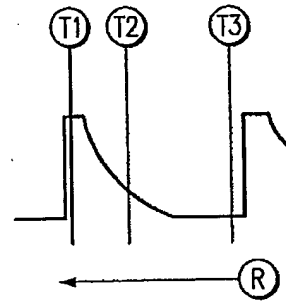
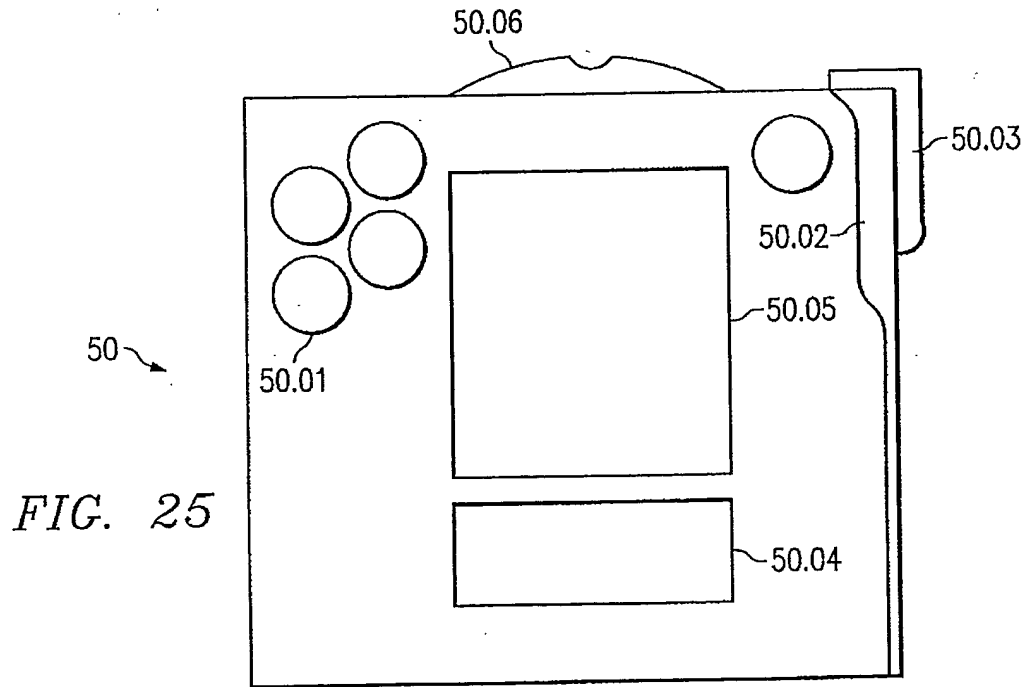


FIG. 24E



14/17

FIG. 26

47

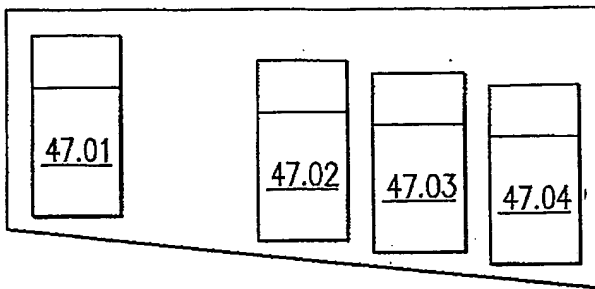


FIG. 27

700

702

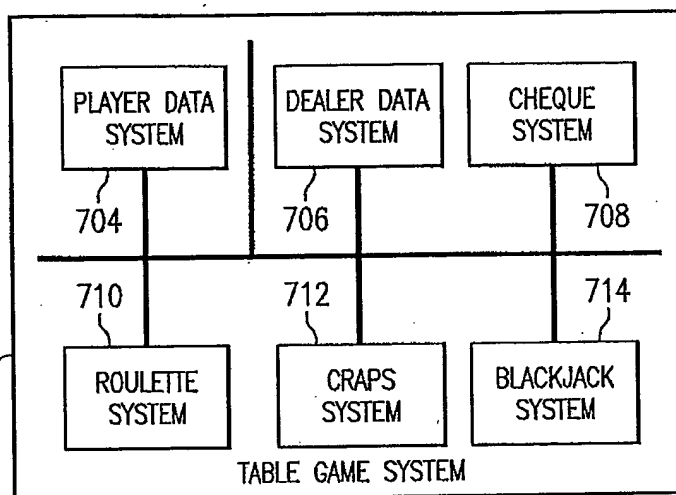


FIG. 28

800

706

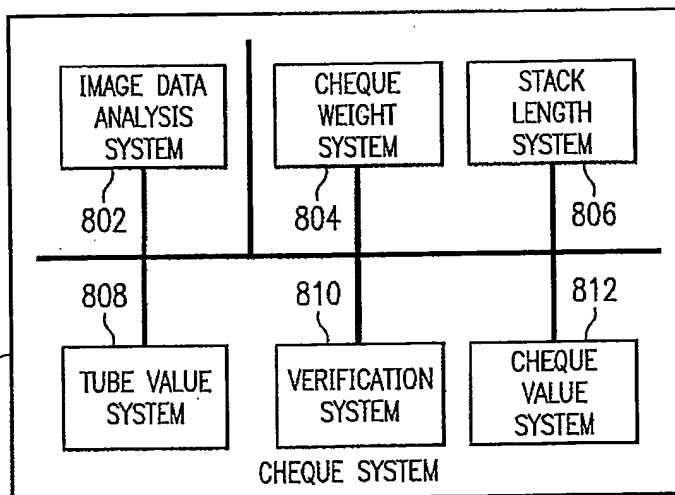


FIG. 29

900

702

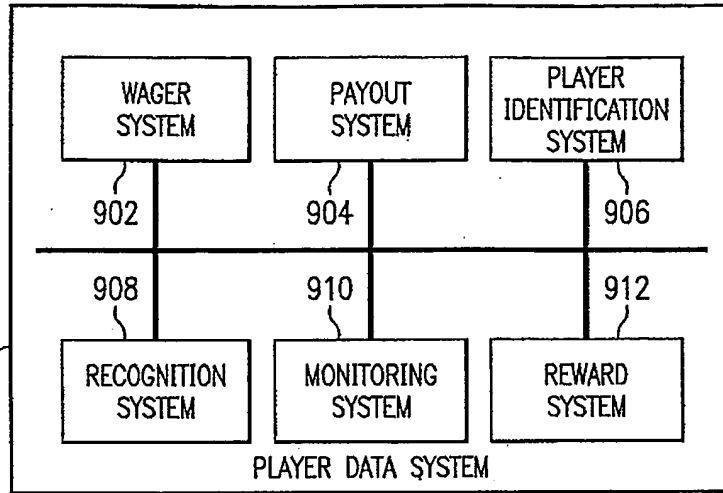
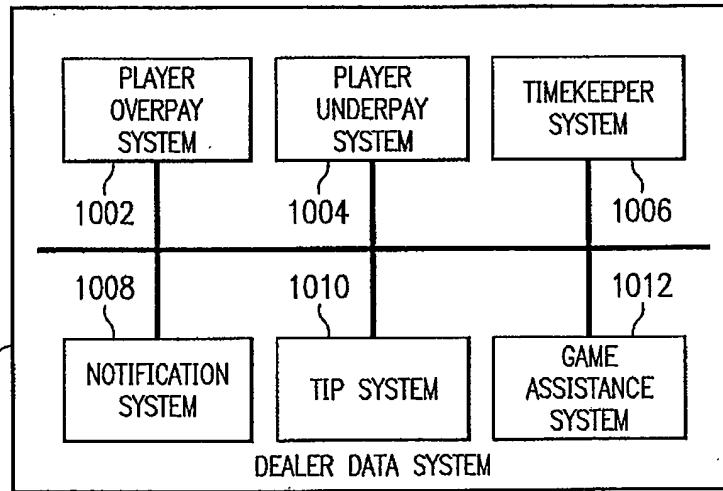


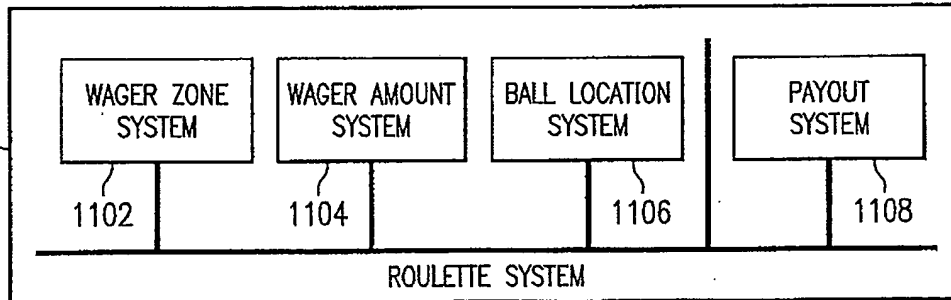
FIG. 30

1000

704



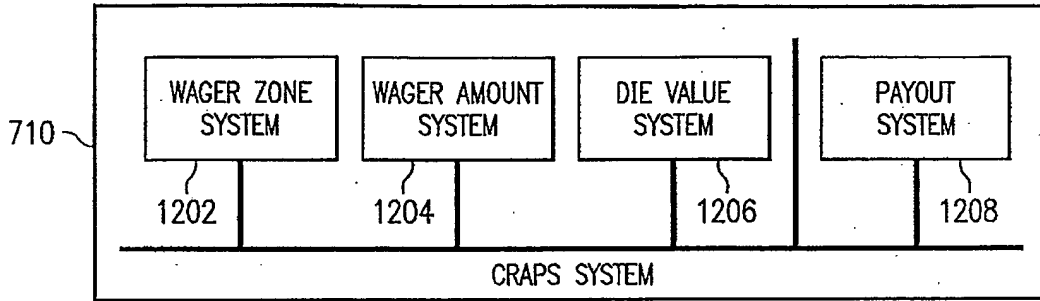
708



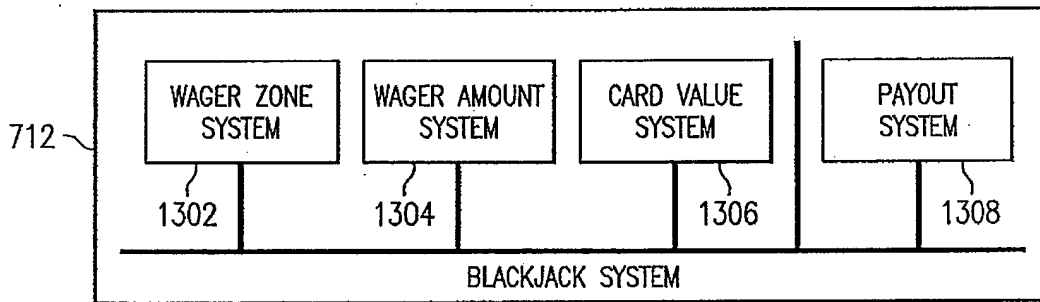
1100

FIG. 31

16/17

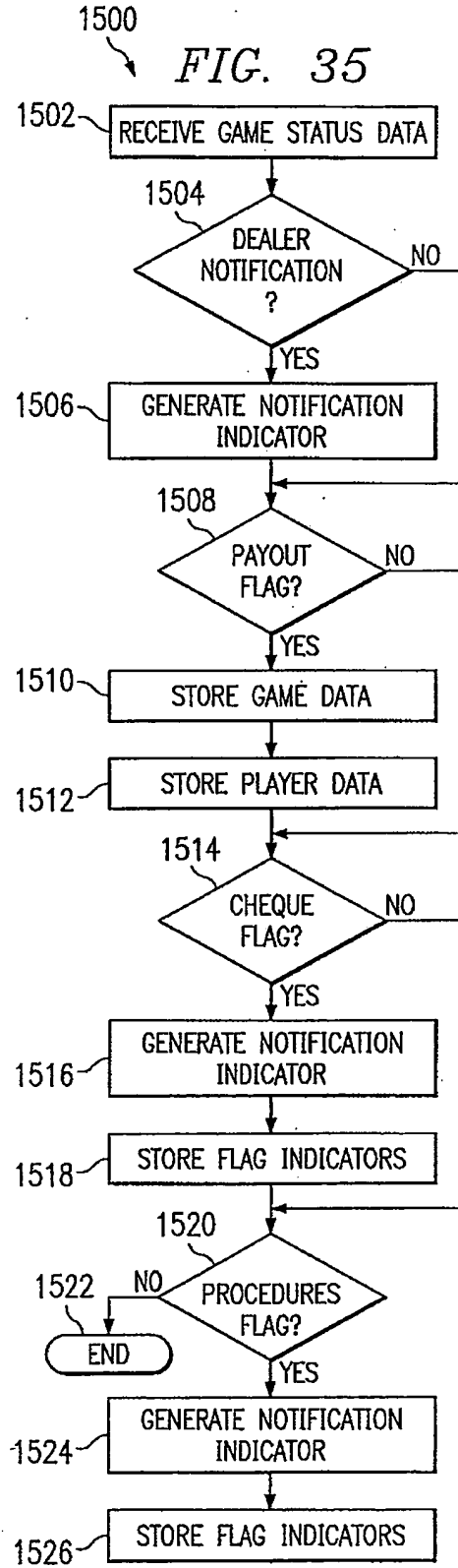
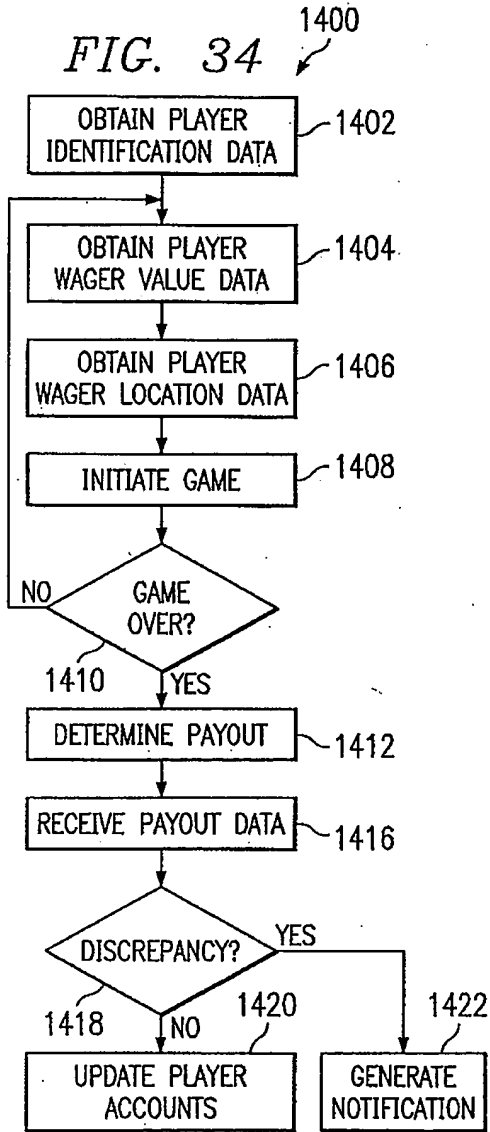


1200 ↗ FIG. 32



1300 ↗ FIG. 33

17/17



**This Page is Inserted by IFW Indexing and Scanning
Operations and is not part of the Official Record**

BEST AVAILABLE IMAGES

Defective images within this document are accurate representations of the original documents submitted by the applicant.

Defects in the images include but are not limited to the items checked:

- BLACK BORDERS**
- IMAGE CUT OFF AT TOP, BOTTOM OR SIDES**
- FADED TEXT OR DRAWING**
- BLURRED OR ILLEGIBLE TEXT OR DRAWING**
- SKEWED/SLANTED IMAGES**
- COLOR OR BLACK AND WHITE PHOTOGRAPHS**
- GRAY SCALE DOCUMENTS**
- LINES OR MARKS ON ORIGINAL DOCUMENT**
- REFERENCE(S) OR EXHIBIT(S) SUBMITTED ARE POOR QUALITY**
- OTHER: _____**

IMAGES ARE BEST AVAILABLE COPY.

As rescanning these documents will not correct the image problems checked, please do not report these problems to the IFW Image Problem Mailbox.